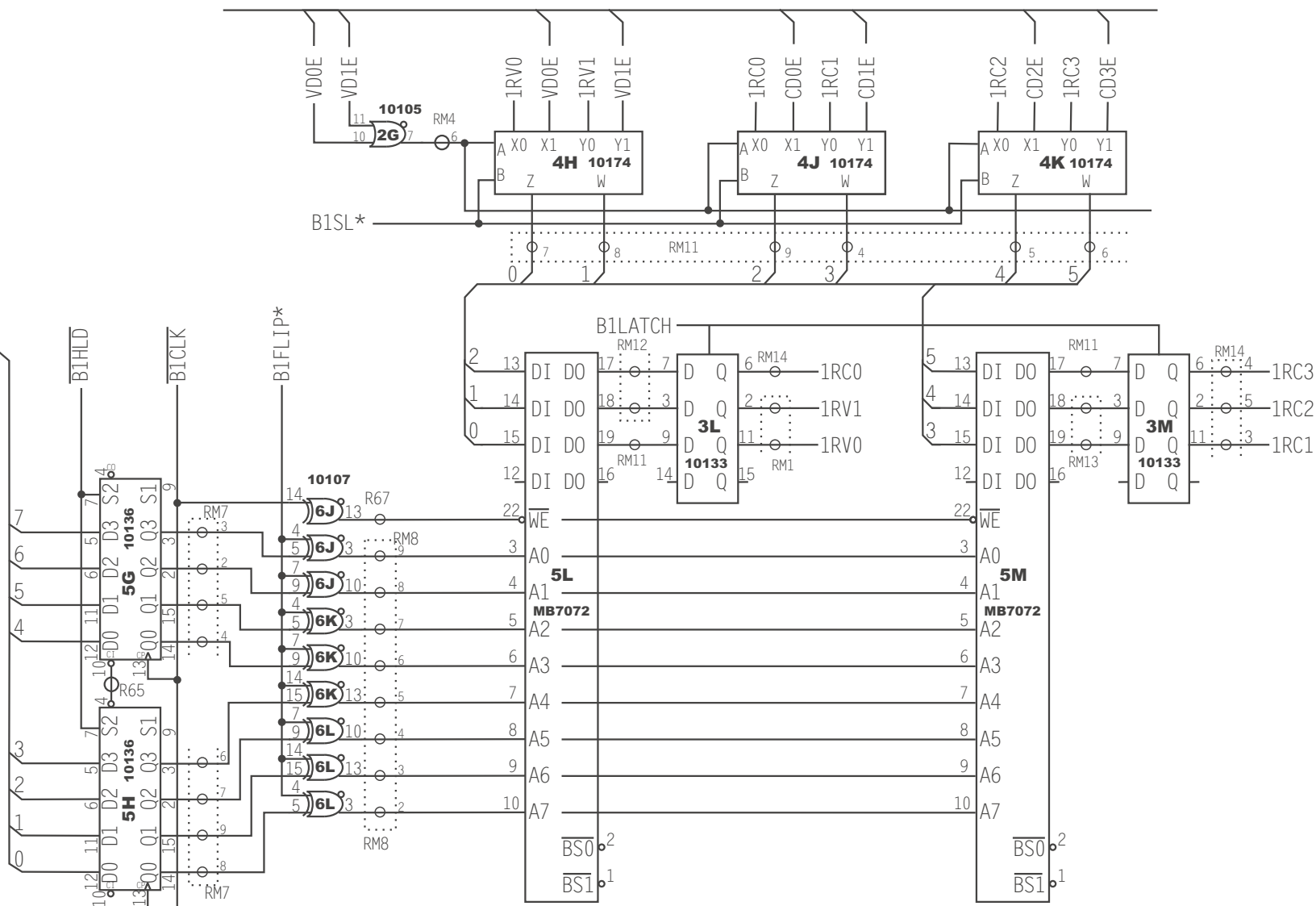


HD0 to HD7  
from VIDEO  
board via  
10124 TTL  
to ECL  
translator



Rev. 3 / 2007-03-23

TRS02-CLK

Line Buffer 1

Schematic Drawn by Markus Karrer Ostermayer